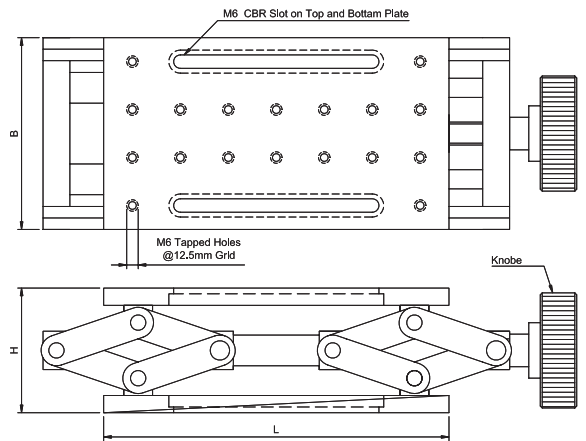
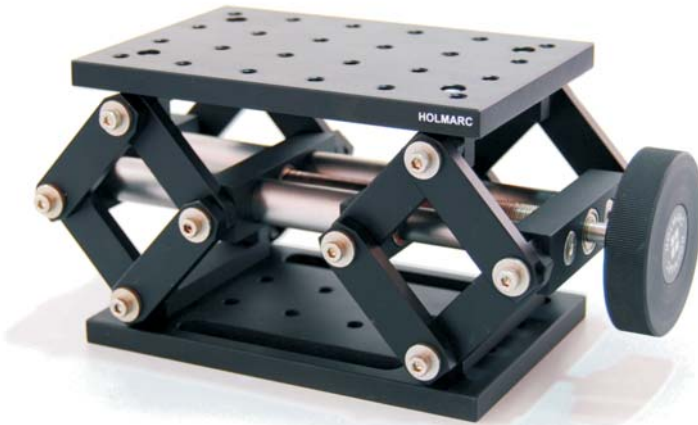


# LAB JACK

HOLMARC

## Lab Jack - LJ SERIES

Lab jack provides precision vertical adjustment for mounting opto-mechanical assemblies that require rigid height adjustment. This model comes in pantograph design.



- ▶ Load capacity: 10 kg
- ▶ Vertical height adjustment by 1mm pitch lead screw.
- ▶ Parallelism: 0.1mm for the entire travel
- ▶ M6 tapped holes at the top on 25 mm grid.
- ▶ M6 clearance slots at the base
- ▶ Aluminium Alloy
- ▶ Black anodized

Model No:	L(mm)	B(mm)	H(min, max)	Load Capacity (kg)
LJ100-75	100	75	75, 115	8
LJ150-100	150	100	60, 115	10
LJ180-100	180	100	60, 115	15

### Vertical Translation Stage

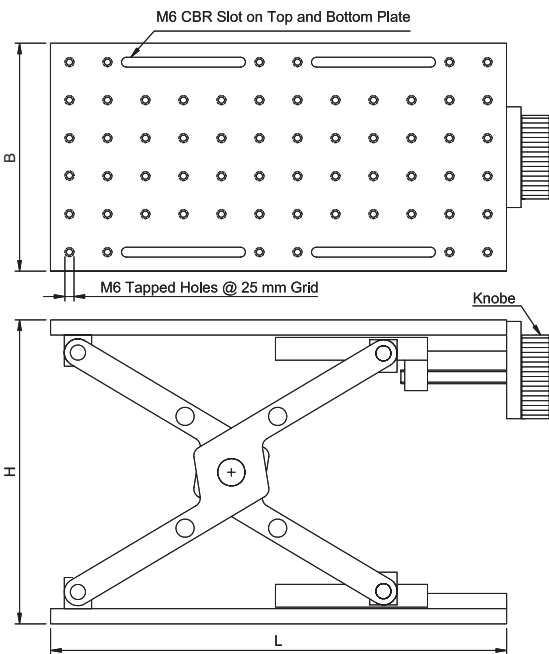
Vertical movement is obtained by activating a spring-loaded cam by micrometer head.



Refer Page: 089

This is a heavy duty lab jack which offers excellent rigidity and positioning accuracy. These jacks can be used to lift larger assemblies like Lasers, Microscopes etc. This model uses scissors type design.

## Lab Jack - LJSS SERIES



- ▶ Load capacity: Up to 50 kg
- ▶ Vertical height adjustment by 1mm pitch lead screw.
- ▶ Parallelism: 0.1mm for the entire travel
- ▶ M6 tapped holes at the top on 25 mm grid.
- ▶ M6 clearance slots at top and bottom
- ▶ Aluminium Alloy & Stainless Steel construction
- ▶ Black anodized

Model No:	L(mm)	B(mm)	H (min, max)	Load Capacity (kg)
LJSS300-150	300	150	75, 200	8
LJSS300-250	300	250	75, 200	10
LJSS350-300	350	300	75, 200	15

### HeNe Laser



Most common and inexpensive gas laser, the helium neon laser is usually constructed to operate in the red at 632.8nm...

Refer page: 214

