

Motorized Lab Jack - MLJ SERIES

Lab Jacks combine precision height adjustment in a stable design with high load capacity. These Motorized Lab Jacks provide a rugged, height adjustable platform ideal for mounting optomechanical sub-assemblies requiring height adjustments. It can be controlled remotely using a PC or hand held units.

The upper and lower mounting plates have M6 tapped holes and clearance slots for general mounting requirements.

- ▶ Load capacity: Up to 30 kg
- ▶ Vertical height adjustment by ball screw.
- ▶ Precision roller linear guide way
- ▶ Actuator: Geared stepper motor
- ▶ Parallelism: 0.1mm for the entire travel
- ▶ M6 tapped holes at the top on 25 mm grid.
- ▶ M6 clearance slots at the base
- ▶ Aluminium alloy
- ▶ Black anodized

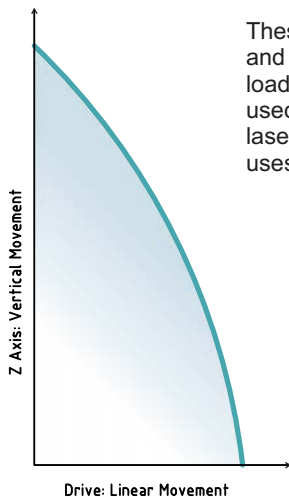
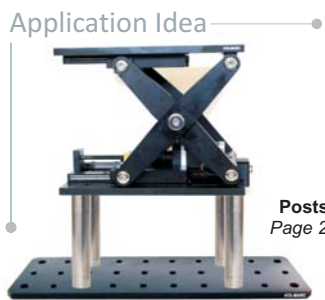
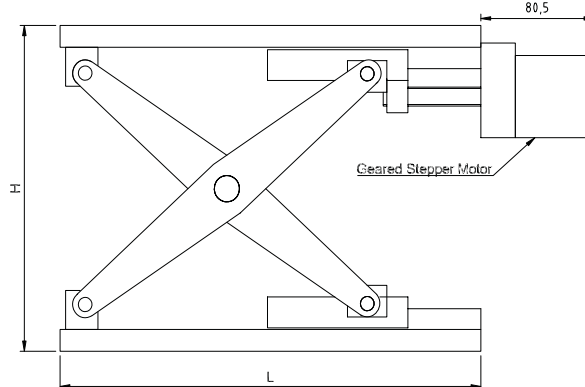
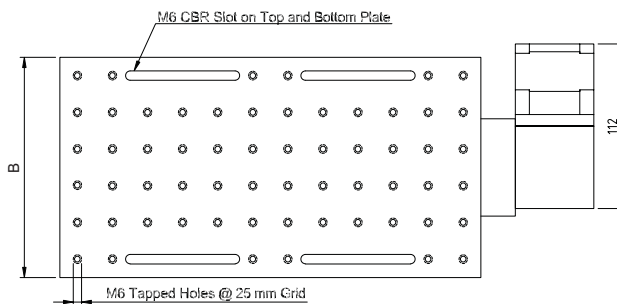


Fig. Movement Graph

These lab jacks offer excellent rigidity and positioning accuracy with high load capacity. These jacks can be used to lift larger assemblies like lasers, microscopes etc. This model uses scissors type design.



Mini breadboard Page 02



Model No	L (mm)	B(mm)	H (mm) Minimum Height & Maximum Height	Load Capacity
ML J 300 -150	300	150	75 & 200	25
ML J 300 -250	300	250	75 & 200	35
ML J 300 -300	300	300	75 & 200	40
ML J 350 -250	350	250	105 & 275	42
ML J 350 -300	350	300	105 & 275	45
ML J 350 -350	350	350	105 & 275	55

Encoder integrated stages are available for special applications. These provide position feedback for highly repeatable and accurate positioning.

