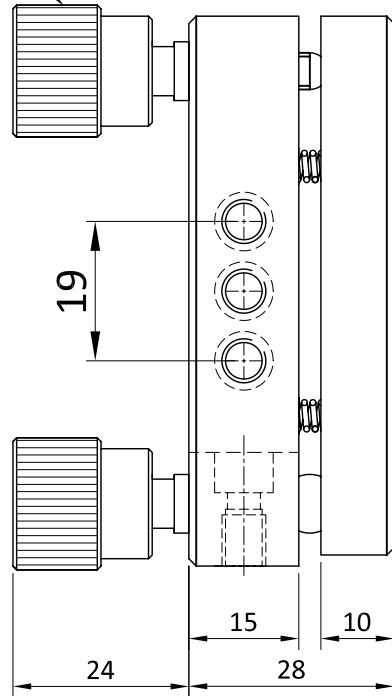
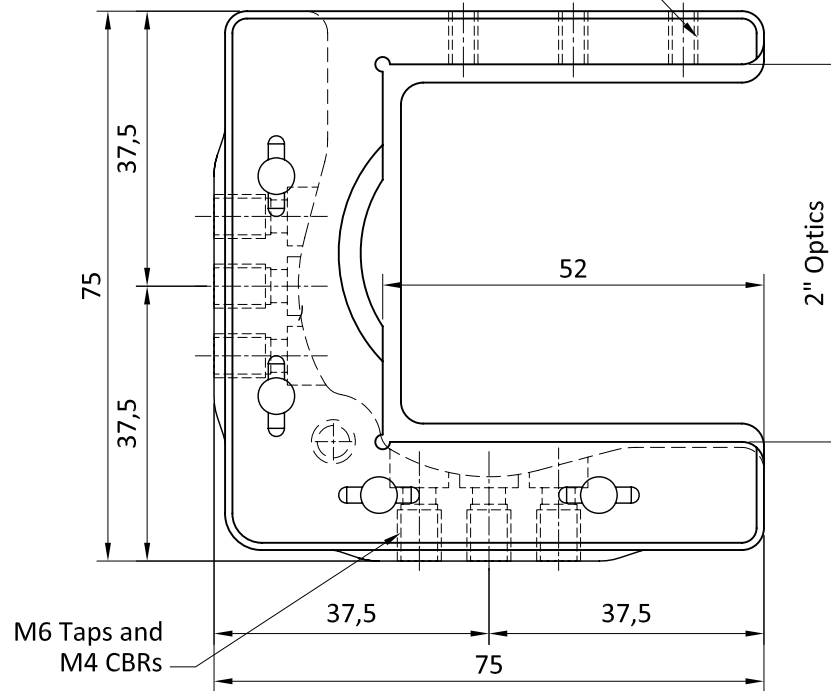


Tilting Knob - 2nos



Tipped Set Screws for Optics Holding



2" or 50mm optic mount

Model No:KMR-CS-50

"INFORMATION ONLY NOT FOR MANUFACTURING"

ALL DIMENSIONS ARE IN MM
UNLESS OTHERWISE STATED



HOLMARC
OPTO-MECHATRONICS PVT. LTD

Kinematic Mount For
Rectangular Optics

THIS INFORMATION IS CONFIDENTIAL AND PROPRIETARY
TO HOLMARC . ITS WORLDWIDE SUBSIDIARIES AND/OR
AFFILIATES.IT MAY NOT BE DISCLOSED TO ANYONE, OTHER
THAN HOLMARC PERSONNEL, WITHOUT WRITTEN
AUTHORIZATION FROM AN AUTHORIZED REPRESENTATIVE
OF HOLMARC