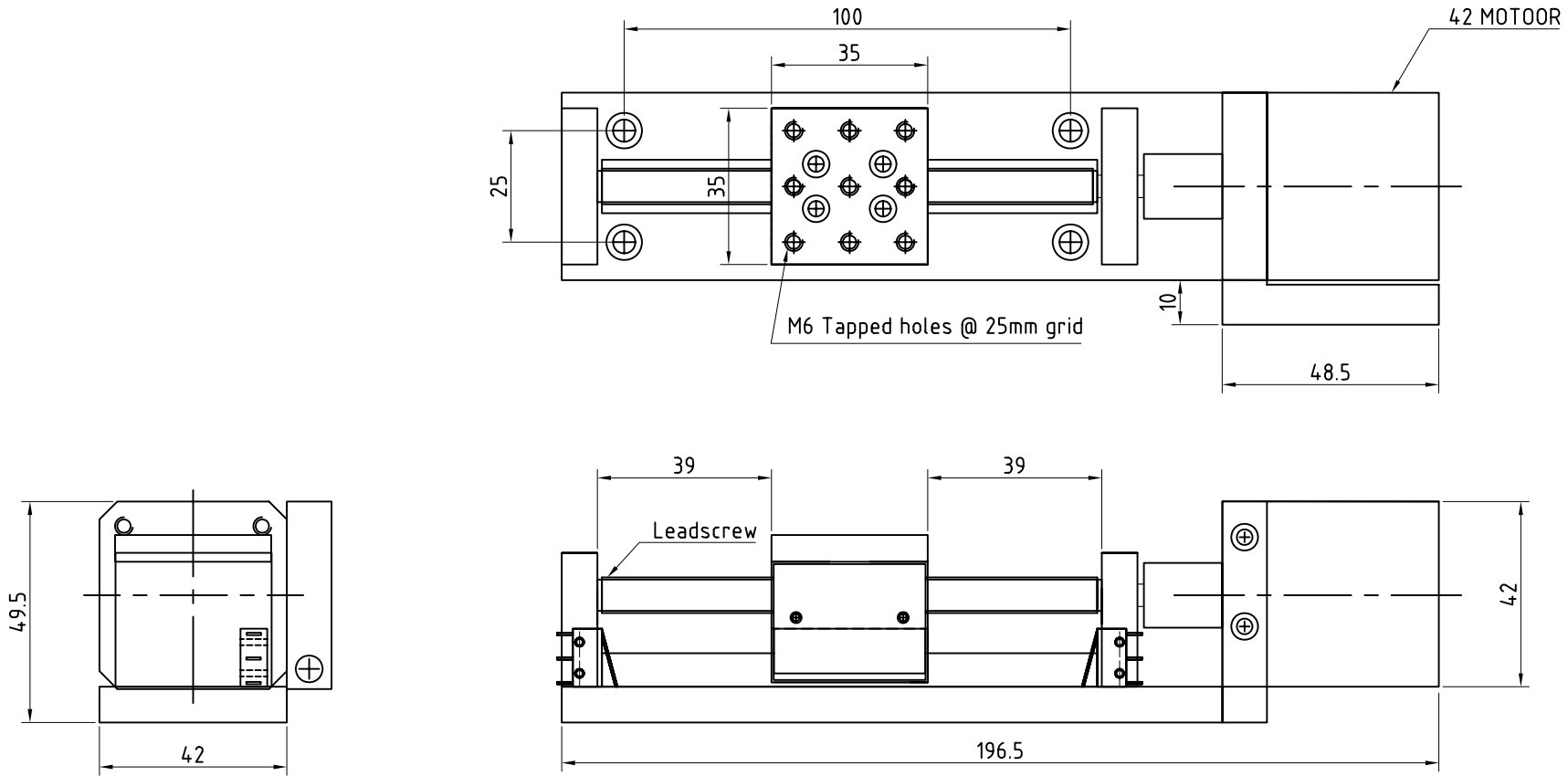


THIS INFORMATION IS CONFIDENTIAL AND PROPRIETARY TO HOLMARC, ITS
 WORLDWIDE SUBSIDIARIES, AND/OR AFFILIATES. IT MAY NOT BE DISCLOSED
 TO ANYONE, OTHER THAN HOLMARC PERSONNEL, WITHOUT WRITTEN
 AUTHORIZATION FROM AN AUTHORIZED REPRESENTATIVE OF HOLMARC

REV	DESCRIPTION	DATE
X	X	00/00/2018



Travel - 75 mm

GEN- Tolerances				Drawn	Material	Quantity	Finish	Date	Scale	Page No.
Linear		Angular		Nithin	Aluminium-6061	01 no	Anodized	20/06/20	1:1	261
X	±0.5	X°	±0.5°	Checked	HOLMARC OPTO-MECHATRONICS (P) Ltd	Title				RCMTS 35-75-1
X.X	±0.1	All dims are in mm		-		Stage				
X.XX	±0.02			Approved		Part Number	Part Name	Drawing/ Model Number	Part Revision	
X.XXX	±0.005			Emc	00	Stage	RCMTS 35-75-1	0		