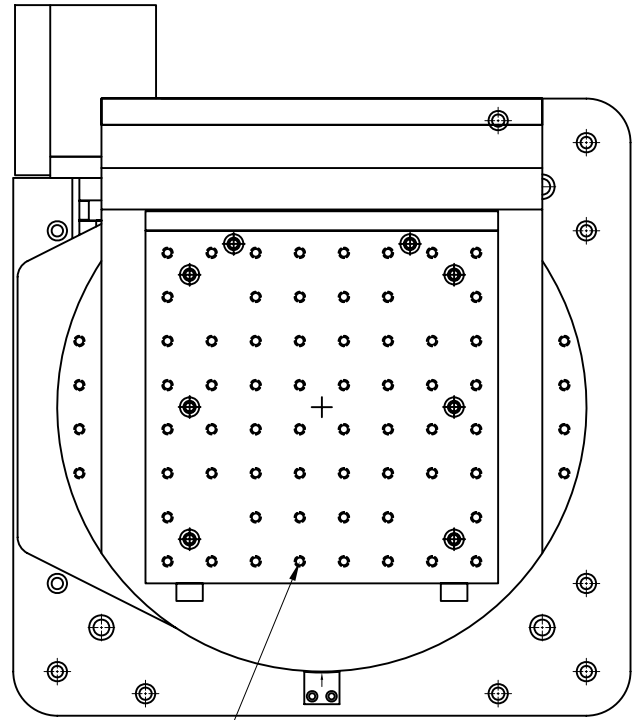
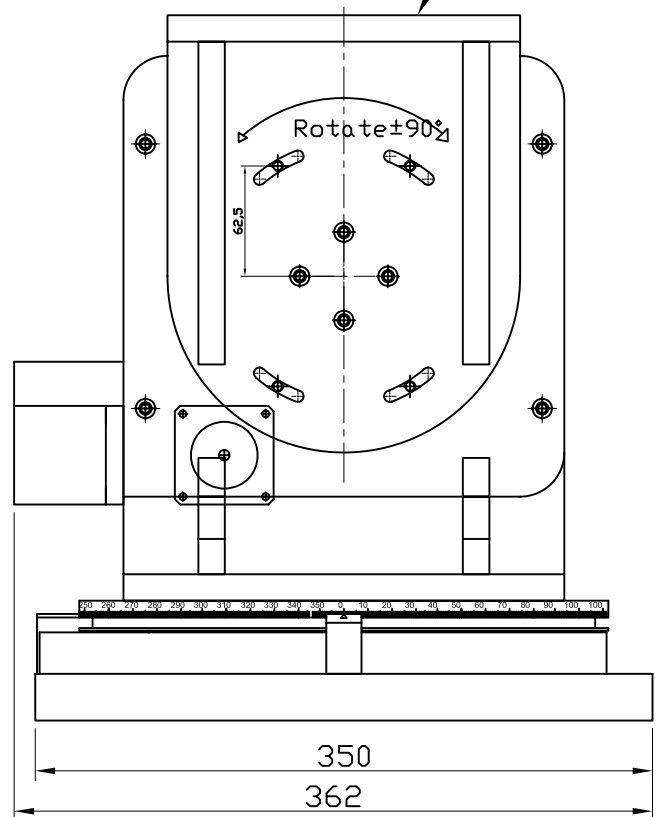
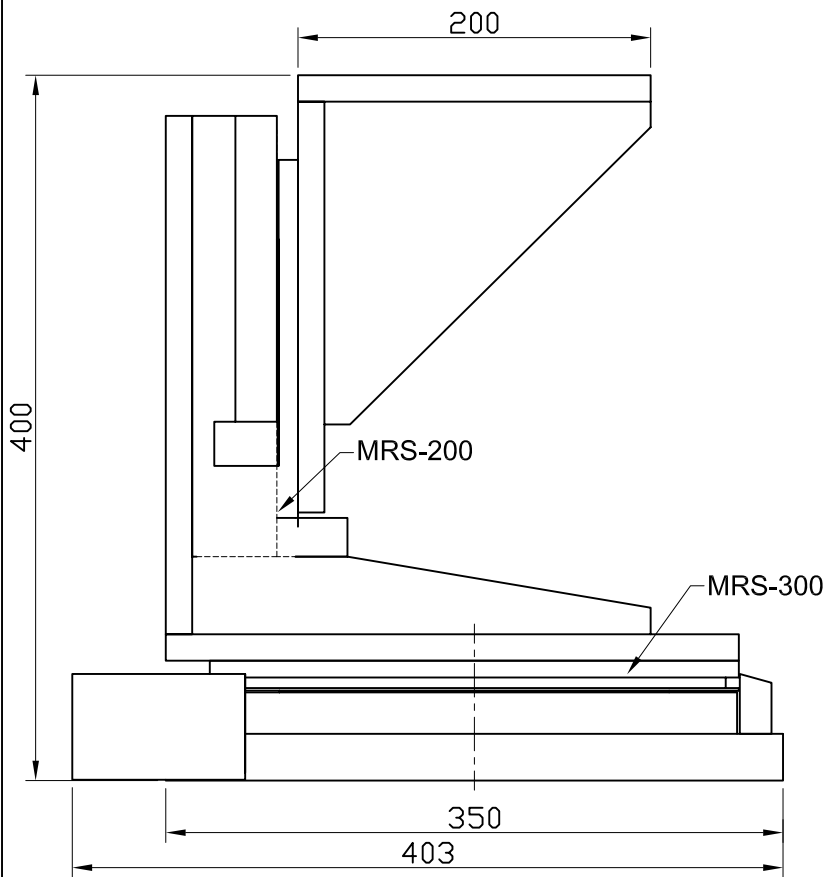


REV	DESCRIPTION	DATE
X	XXX	00/00/2018



M6 Tapped holes @ 25mm grid

Top plate (Rotate ±90°)



GEN- Tolerances				Drawn	Material	Quantity	Finish	Date	Scale	Sheet Size
Linear		Angular		SR	-	-		05/07/2019	1:1	A4
X	±0.5	X°	±0.5°	Checked	HOLMARC OPTO-MECHATRONICS (P) Ltd	Title		Antenna Positioner (HO-APS-300R2)		
X.X	±0.1	All dims are		SK		Part Number		Drawing/ Model Number		
X.XX	±0.02	in mm		Approved		Part Name		18 1024 00		
X.XXX	±0.005			Emc		0 Assembly		0		