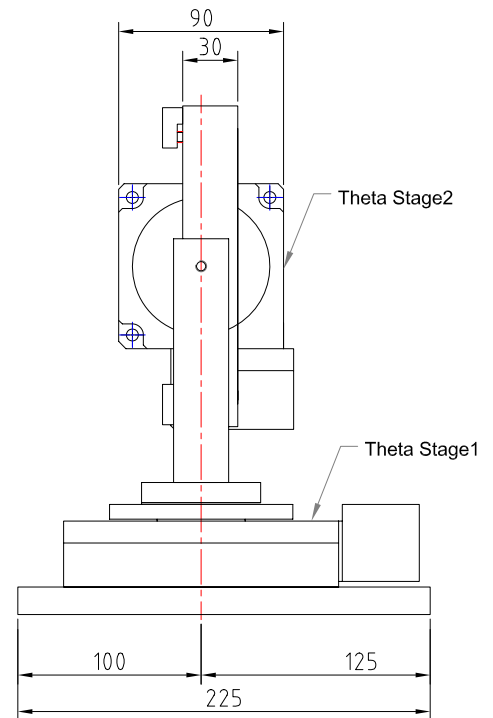
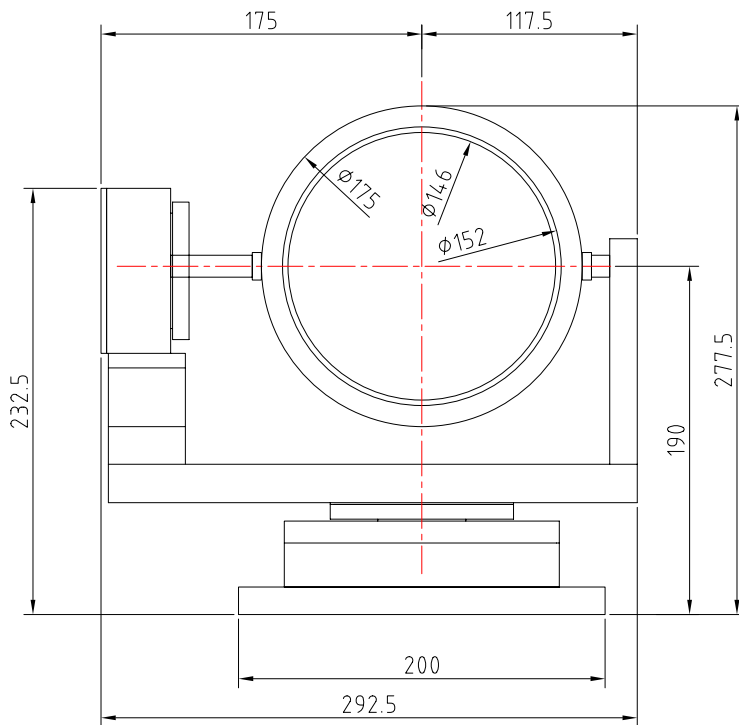
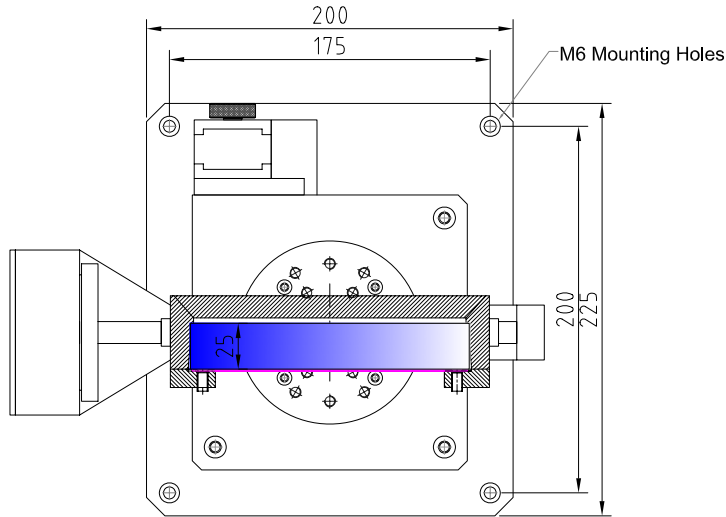

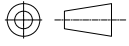


| REV | DESCRIPTION | DATE |
|-----|-------------|------------|
| X | XXX | 00/00/2018 |



| GEN- Tolerances | | | Drawn | Material | Quantity | Finish | Date | Scale | Page No. |
|-----------------|--------|----------------------------------------------------------------------------------------------|----------|---------------------------------------------------------------------------------------------------------------------------------|--------------------------------------|-----------------------|---------------|-------|----------|
| Linear | | Angular | Karthik | | 01 | | 27/01/2021 | 1:1 | 01 |
| X | ±0.5 | X° | Checked |  HOLMARC OPTO-MECHATRONICS (P) Ltd | Title | | | | |
| X.X | ±0.1 | All dims are | - | | MOTORISED GYMBAL MIRROR MOUNT-150 | | | | |
| X.XX | ±0.02 | in mm  | Approved | Part Number | Part Name | Drawing/ Model Number | Part Revision | | |
| X.XXX | ±0.005 | | Emc | 01 | Assembly | MO-GMM-150 | 0 | | |