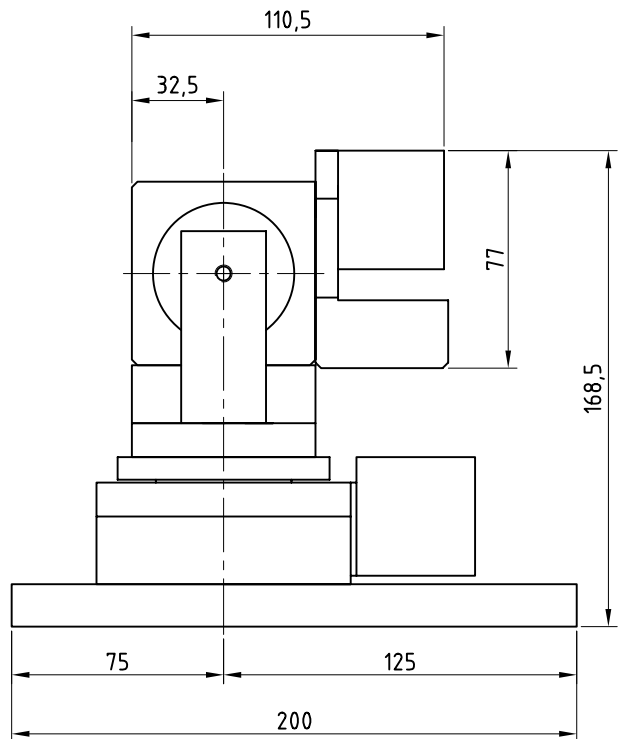
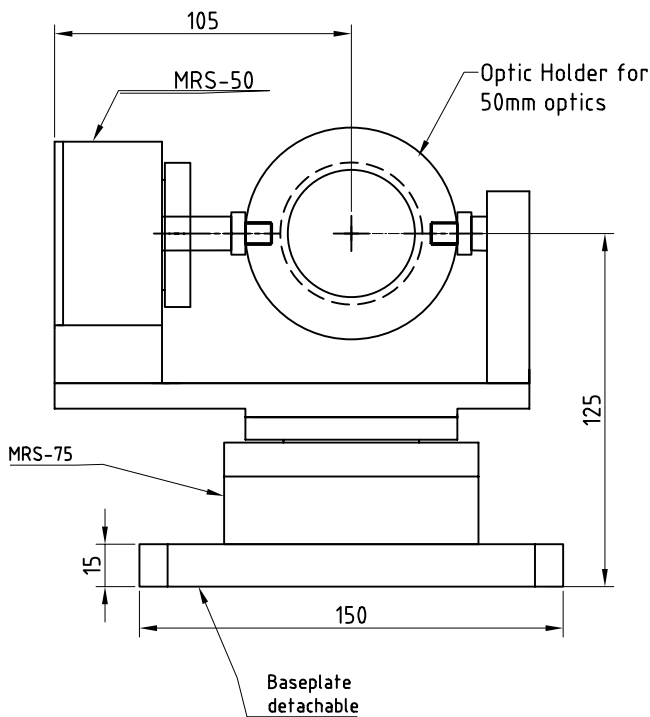
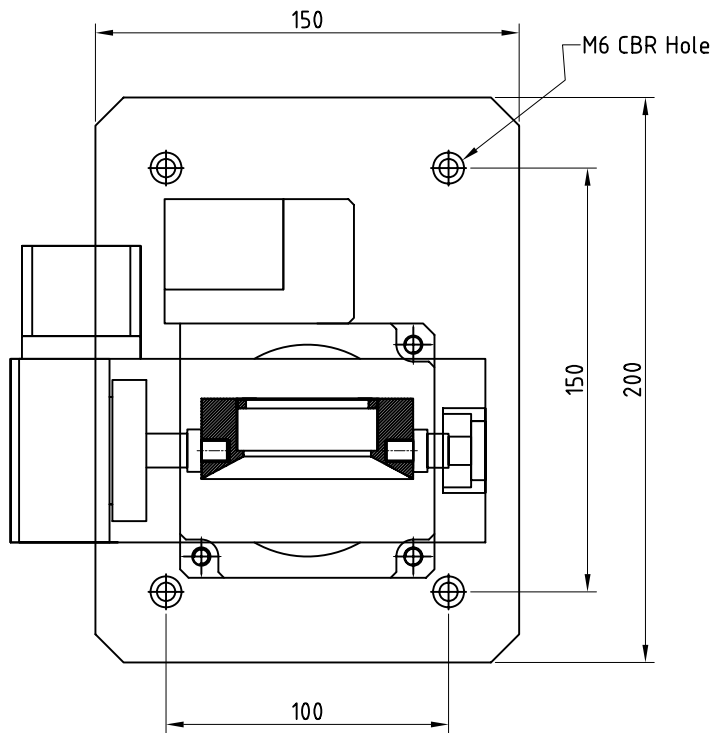


REV	DESCRIPTION	DATE
-	-	-



Gen -Tolerances				Designed by	Material	Quantity	Finish	Date	Size
Linear		Angular		PS		01	STD	23-07-2020	-
X	±0.5	X°	±0.5°	Checked by	<b>HOLMARC</b> OPTO-MECHATRONICS (P) Ltd	Title <b>Motorised Gymbal Mirror Mount</b>			
X.X	All Dims are in MM			VTV					
X.XX	±0.02			Approved by	Part Number	Part Name	Drawing/ Model Number	Part Revision	
X.XXX	±0.005			EMC	<b>01</b>	<b>Assembly</b>	<b>MO-GMM-50</b>	<b>0</b>	