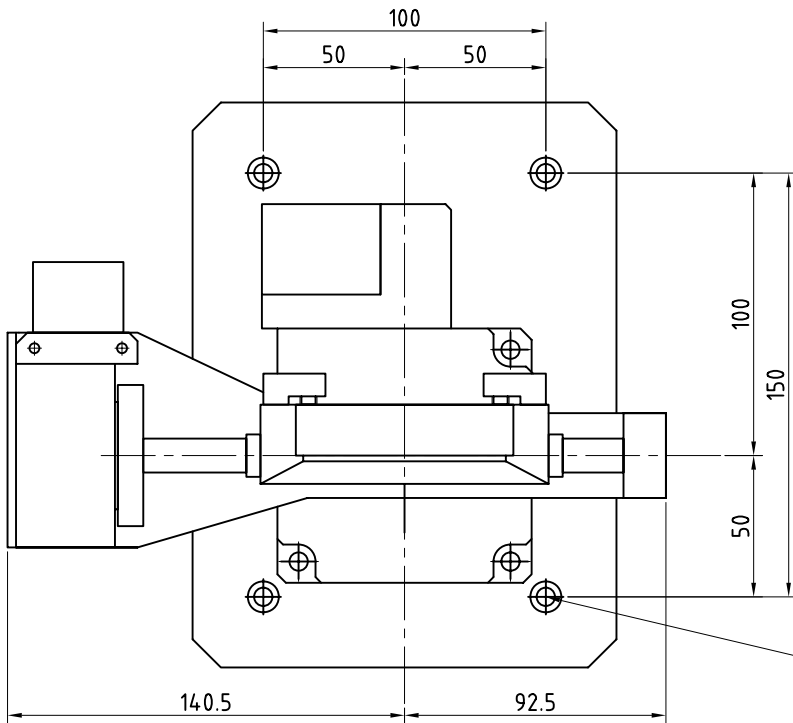
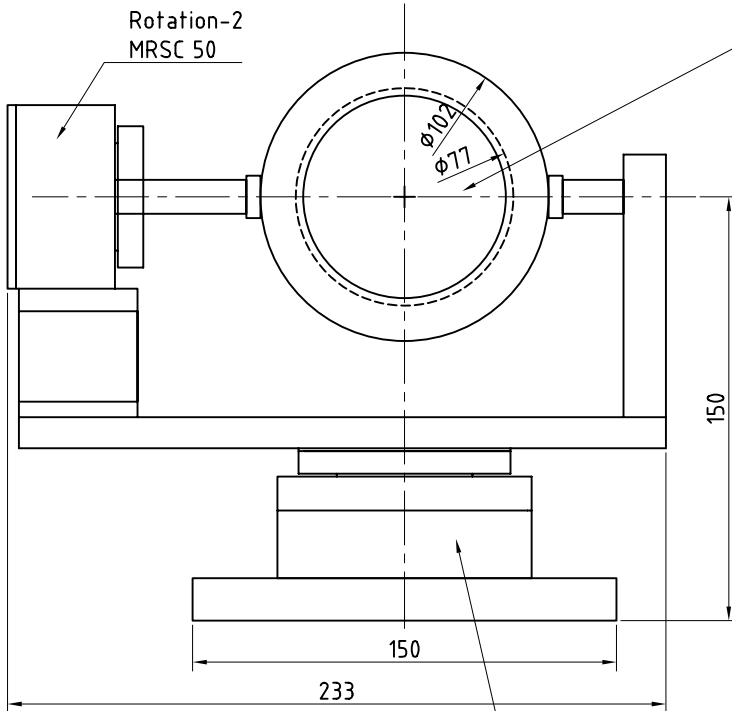


REV	DESCRIPTION	DATE
-	-	-



M6 HOLES

Ø75 x18 MAX. THICK MIRROR



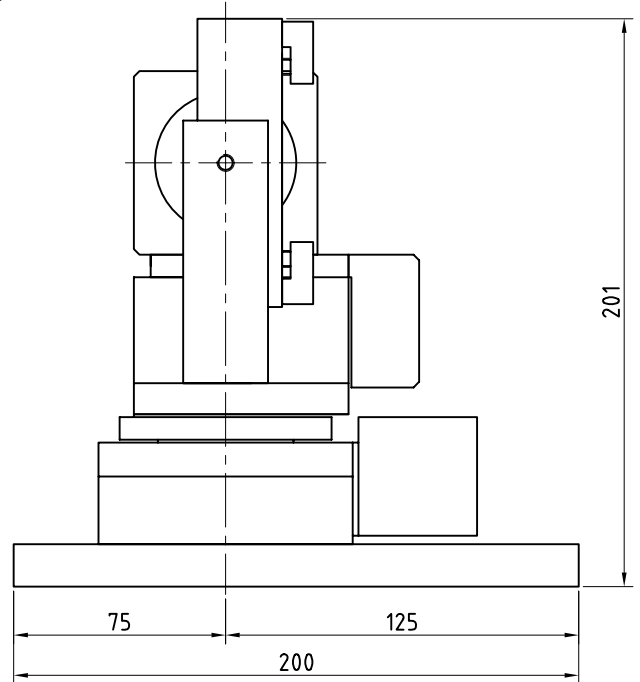
Rotation-2
MRSC 50

150

150

233

Rotation-1
MRS 75


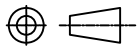


201

75

125

200

Gen -Tolerances				Designed by	Material	Quantity	Finish	Date	Size
Linear		Angular		PS	Aluminum	01	STD	20-03-2022	-
X	±0.5	X°	±0.5°	Checked by	 HOLMARC OPTO-MECHATRONICS (P) Ltd	Title Motorised Gymbal Mirror Mount			
X.X	All Dims are in MM			VTV					
X.XX	±0.02			Approved by	Part Number	Part Name	Drawing/ Model Number	Part Revision	
X.XXX	±0.005			EMC	-	Assembly	MO-GMM-75	0	