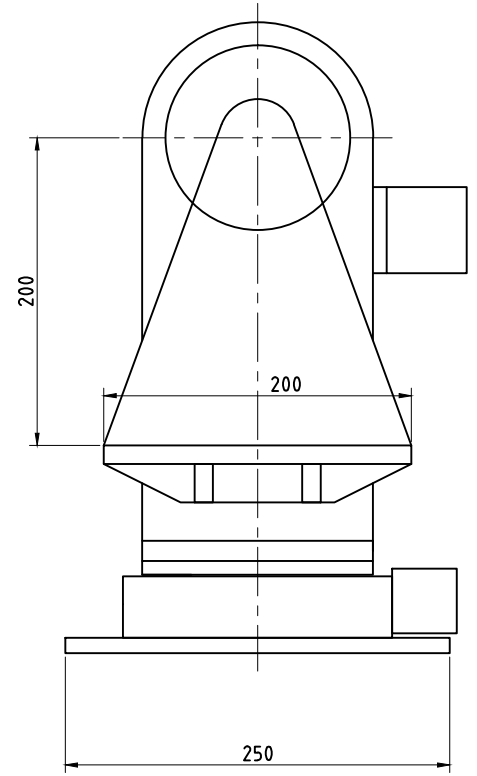
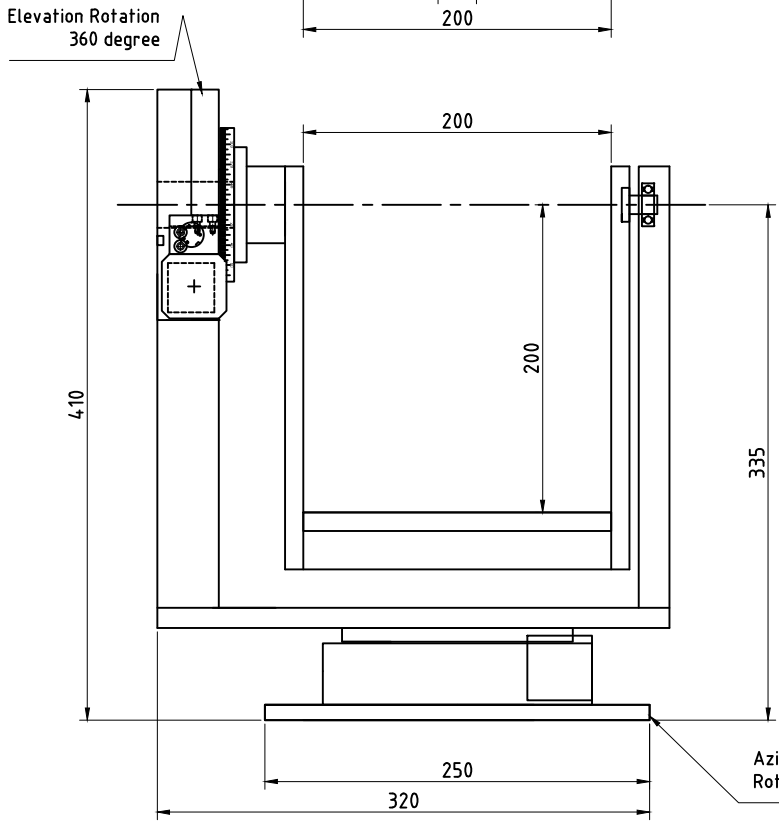
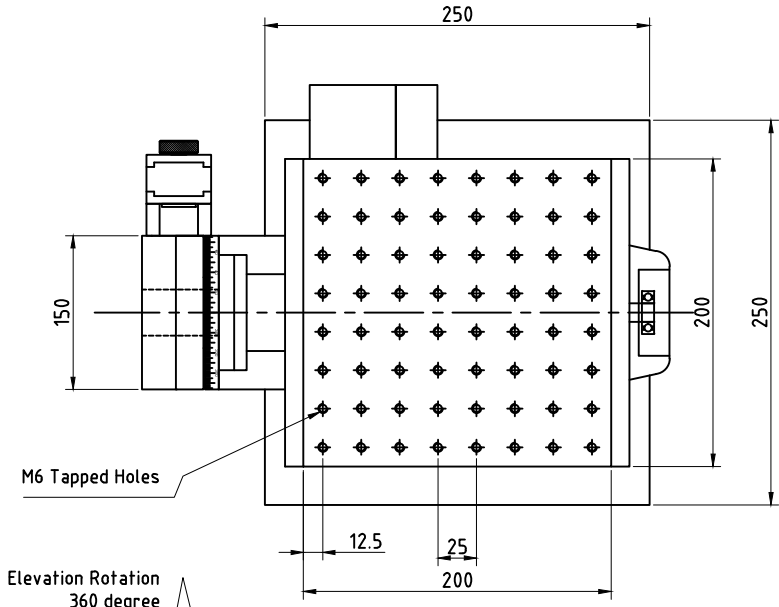


REV	DESCRIPTION	DATE
X	XXX	00/00/2018



GEN- Tolerances				Drawn	Material	Quantity	Finish	Date	Scale	Page No.
Linear		Angular		Karthik		01		20/04/2021	1:1	01
X	±0.5	X°	±0.5°	Checked	<b>HOLMARC</b> OPTO-MECHATRONICS (P) Ltd	Title Motorised 2 Axis Gimbal Stage : 200x200x200				
X.X	±0.1	All dims are in mm		Pramod						
X.XX	±0.02			Approved	Part Number	Part Name	Drawing/ Model Number		Part Revision	
X.XXX	±0.005			Emc	01	Assembly	PRO 21 1202 00	0		